

LED MUFL Flood Light Series

FEATURES

- IP65 rated
- Easy installation and maintenance
- No Mercury or UV
- Daylight sensor available
- 50,000 hours lifetime

SUITABLE APPLICATIONS

- Warehouses
- Stadiums
- Factories
- Parking Lots
- Shopping Malls
- Supermarkets
- Logistic Centers
- Auto dealerships

Special Order:

- Other CCTs



100W



150W



200W



240W

CONSTRUCTION:

Aluminum housing with polyester powder-coated finish.

OPTICAL SYSTEM:

Nichia 3030 LED chips. High quality tempered glass optics. 120° beam angle.

WARRANTY:

5-year limited warranty. Actual performance may differ as a result of end-user environment and application.

ELECTRICAL:

Available as 120-347V input. -20°C to 50°C, -4°F to 122°F

INSTALLATION & MOUNTING:

Bracket mounting.

DIMMING:

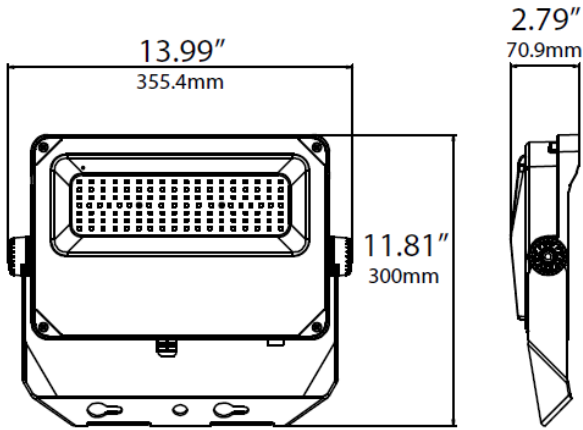
Continuous dimming to 10% or below.



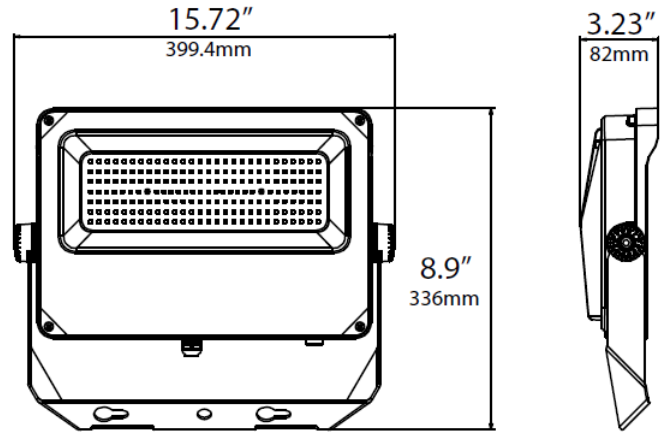
| MODEL NUMBER – 5,000K | WATTAGE | LUMENS | EFFICACY | CRI | POWER FACTOR | THD | REPLACES |
|-----------------------|---------|----------|----------|-----|--------------|-----|-------------|
| LOC-MUFL-100W50KD | 100W | 14,200LM | 142LM/W | 70 | 0.9 | 15% | 200W – 250W |
| LOC-MUFL-150W50KD | 150W | 21,750LM | 145LM/W | 70 | 0.9 | 15% | 300W - 400W |
| LOC-MUFL-200W50KD | 200W | 29,000LM | 145LM/W | 70 | 0.9 | 15% | 500W - 600W |
| LOC-MUFL-240W50KD | 240W | 34,800LM | 145LM/W | 70 | 0.9 | 15% | 500W - 600W |

| Series | Wattage | Color Temperature | Voltage |
|----------|------------------------------|-------------------|---------------|
| LOC-MUFL | 100W 150W 200W 240W | 5000K | LV = 120-277V |

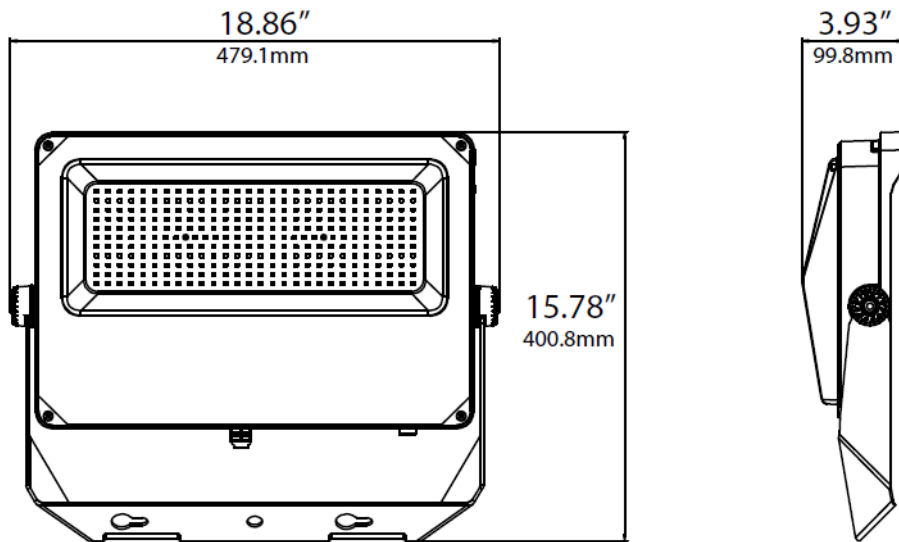
MEASUREMENTS



100W



150W



200W and 240W

| MODEL | QUANTITY | WEIGHT | UPC CODE |
|-------------------|----------|--------|----------------|
| LOC-MUFL-100W50KD | 1 | lbs | 00810050941389 |
| LOC-MUFL-150W50KD | 1 | lbs | 00810050941396 |
| LOC-MUFL-200W50KD | 1 | lbs | 00810050941402 |
| LOC-MUFL-240W50KD | 1 | lbs | 00810050941419 |